

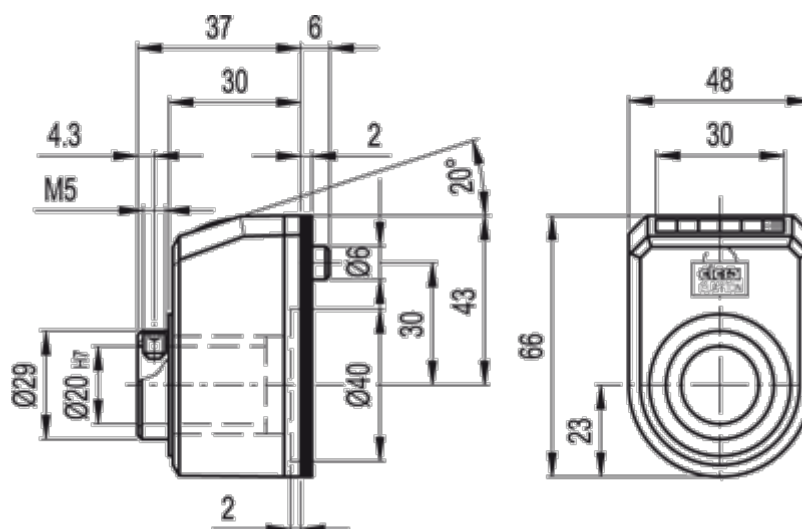
# Data Sheet



Article number: 2307083212

Description: E+G Direct drive position indikator  
DD52R-FN-0003.0-S-C3 (Grey)

## Measures



Max rpm = 830